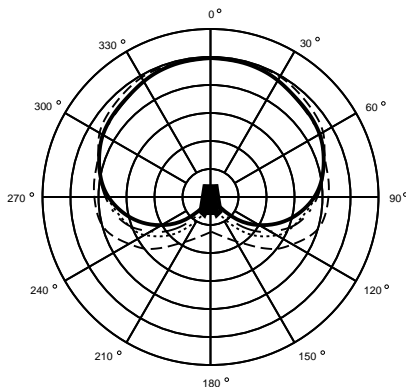


AT851a AT851Wa

Polar Pattern

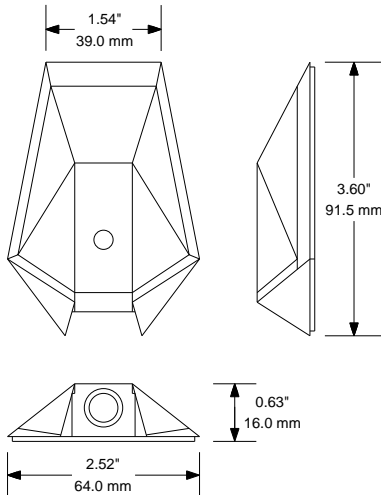


SCALE IS 5 DECIBELS PER DIVISION

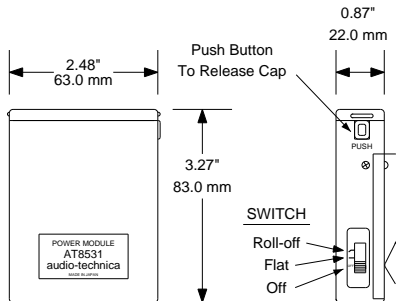
LEGEND



Dimensions



AT8531 Power Module



AT851a/AT851Wa SPECIFICATIONS†

ELEMENT	Fixed-charge back plate permanently polarized condenser	
POLAR PATTERN	Half-cardioid (cardioid in hemisphere above mounting surface)	
FREQUENCY RESPONSE	30-20,000 Hz	
LOW-FREQUENCY ROLL-OFF	80 Hz, 18 dB/octave	
OPEN CIRCUIT SENSITIVITY	PHANTOM BATTERY	-44 dB (6.3 mV) re 1V at 1 Pa*
	BATTERY	-45 dB (5.6 mV) re 1V at 1 Pa*
IMPEDANCE	PHANTOM BATTERY	200 ohms
	BATTERY	270 ohms
MAXIMUM INPUT SOUND LEVEL	PHANTOM BATTERY	135 dB SPL, 1 kHz at 1% T.H.D.
	BATTERY	121 dB SPL, 1 kHz at 1% T.H.D.
DYNAMIC RANGE (TYPICAL)	PHANTOM BATTERY	108 dB, 1 kHz at Max SPL
	BATTERY	94 dB, 1 kHz at Max SPL
SIGNAL-TO-NOISE RATIO¹	67 dB, 1 kHz at 1 Pa*	
SWITCH	Off, on-flat, on-roll-off	
BATTERY TYPE	Use only "leakproof" AA/UM3 1.5V battery	
BATTERY CURRENT	0.4 mA typical	
BATTERY LIFE	1200 hours (alkaline battery)	
PHANTOM POWER REQUIREMENTS	9-52V DC, 2 mA typical	
WEIGHT	MICROPHONE	4.2 oz (120 grams)
	POWER MODULE	5.2 oz (147 grams)
DIMENSIONS	MICROPHONE	2.52" (64.0 mm) max width, 3.60" (91.5 mm) max length, 0.63" (16.0 mm) height
	POWER MODULE	3.27" (83.0 mm) H x 2.48" (63.0 mm) W x 0.87" (22.0 mm) D
OUTPUT CONNECTOR (POWER MODULE)	Integral 3-pin XLRM-type	
CABLE	25' (7.6 m) long, 0.13" (3.2 mm) diameter, 2-conductor, shielded cable with TA3F connectors	
ACCESSORIES FURNISHED	AT8531 power module; battery; soft vinyl protective pouch	
OPTIONAL INTERCHANGEABLE ELEMENTS	AT853H-ELE hypercardioid (100°) AT853O-ELE omnidirectional (360°) AT853SC-ELE subcardioid (170°)	

† In the interest of standards development, A.T.U.S. offers full details on its test methods to other industry professionals on request.

* 1 Pascal = 10 dynes/cm² = 10 microbars = 94 dB SPL

¹ Typical, A-weighted, using Audio Precision System One.

Optional Accessories:

- CP8201 line matching transformer (Lo-Z to 50,000 ohms).
- AT8202 adjustable in-line attenuator for use with low-impedance microphones.
- AT8314 2-conductor, shielded, vinyl-jacketed, broadcast-type cable with XLRF-type connector at microphone end, XLRM-type connector at equipment end. Available in 10', 20', 25', 30', 50' & 100' lengths.
- CP8506 four-channel 48V phantom power supply (AC powered).
- CP8508 single-channel 24V phantom power supply (AC powered).

One-Year Limited Warranty

Audio-Technica microphones and accessories purchased in the U.S.A. are warranted for one year from date of purchase by Audio-Technica U.S., Inc. (A.T.U.S.) to be free of defects in materials and workmanship. In event of such defect, product will be repaired promptly without charge or, at our option, replaced with a new product of equal or superior value if delivered to A.T.U.S. or an Authorized Service Center, prepaid, together with the sales slip or other proof of purchase date. **Prior approval from A.T.U.S. is required for return.** This warranty excludes defects due to normal wear, abuse, shipping damage, or failure to use product in accordance with instructions. This warranty is void in the event of unauthorized repair or modification.

For return approval and shipping information, contact the Service Department, Audio-Technica U.S., Inc., 1221 Commerce Drive, Stow, Ohio 44224.

Except to the extent precluded by applicable state law, **A.T.U.S. will have no liability for any consequential, incidental, or special damages; any warranty of merchantability or fitness for particular purpose expires when this warranty expires.**

This warranty gives you specific legal rights, and you may have other rights which vary from state to state.

Outside the U.S.A., please contact your local dealer for warranty details.



Audio-Technica U.S., Inc., 1221 Commerce Drive, Stow, Ohio 44224

Audio-Technica Limited, Old Lane, Leeds LS11 8AG England

Form No. 0310-0855-00-B/W P50871 © 1996 Audio-Technica U.S., Inc. Printed in U.S.A.